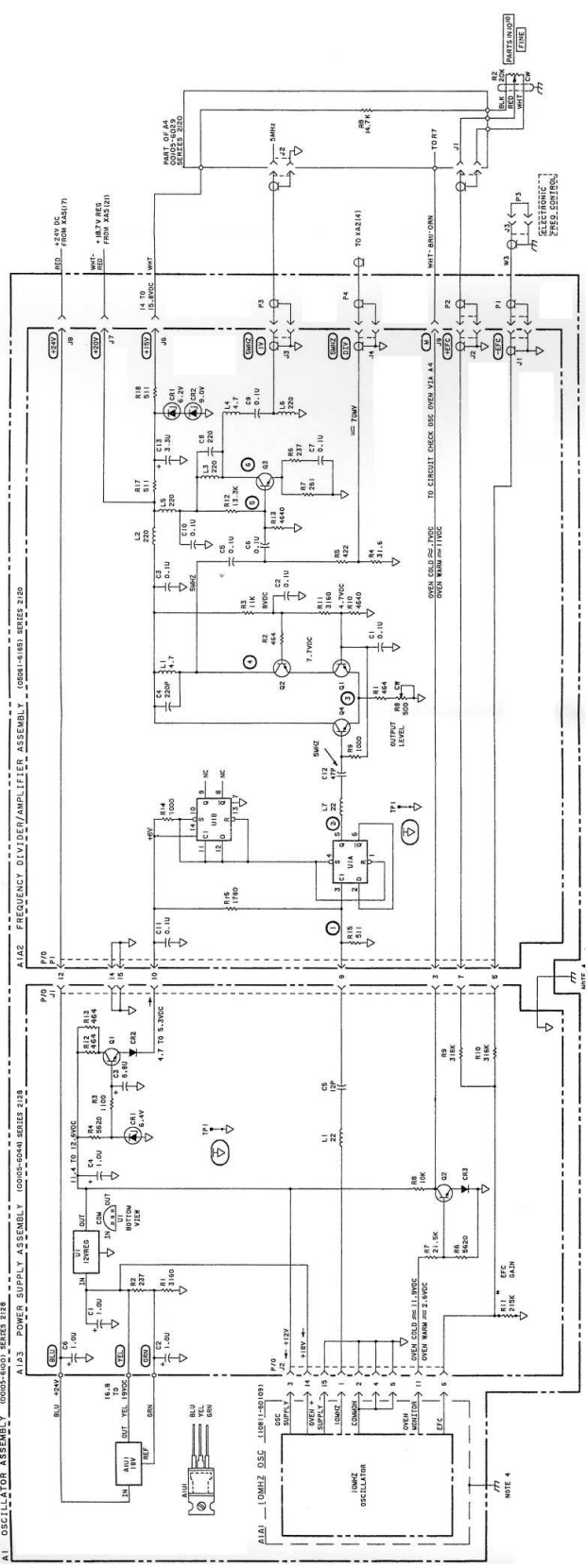
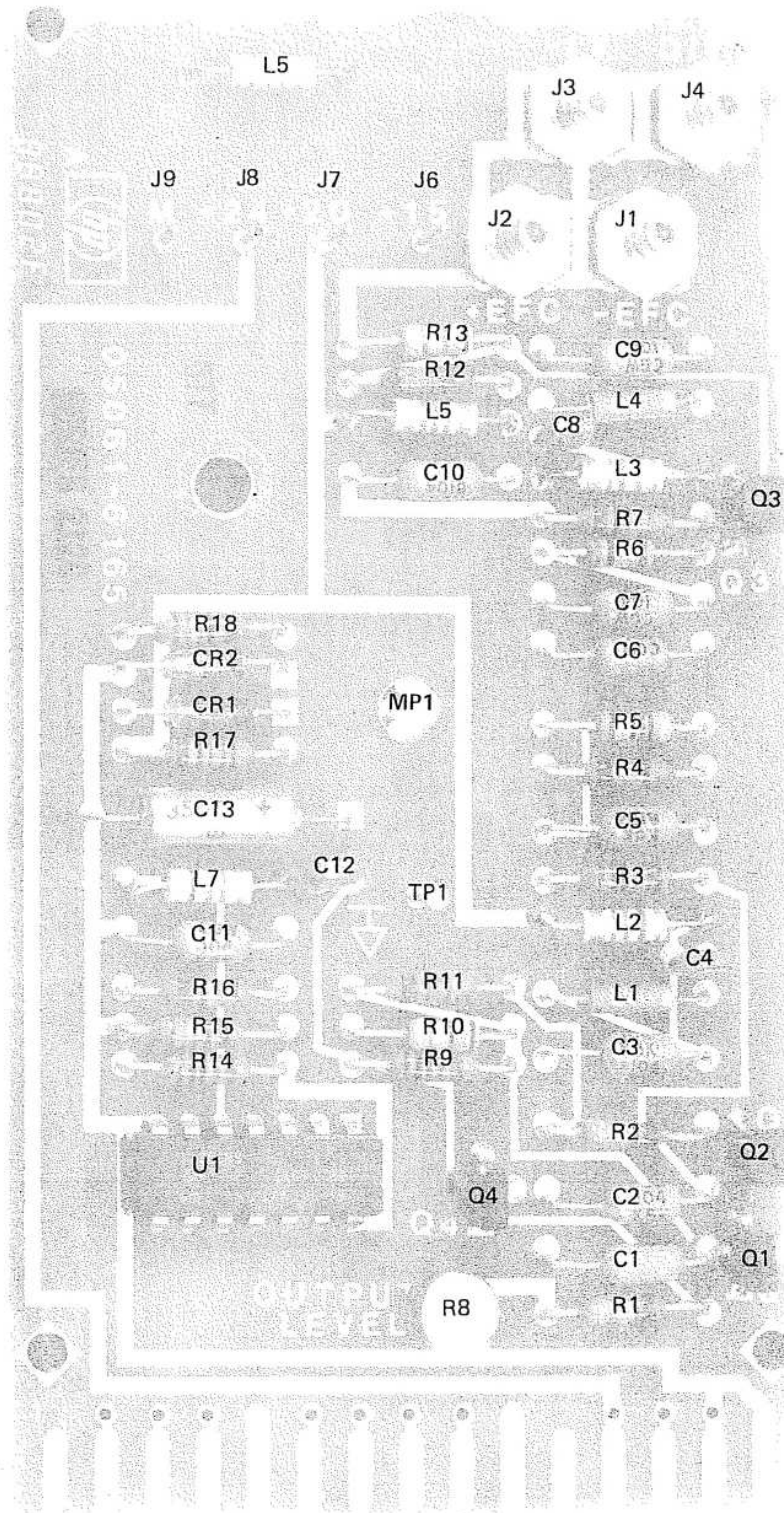


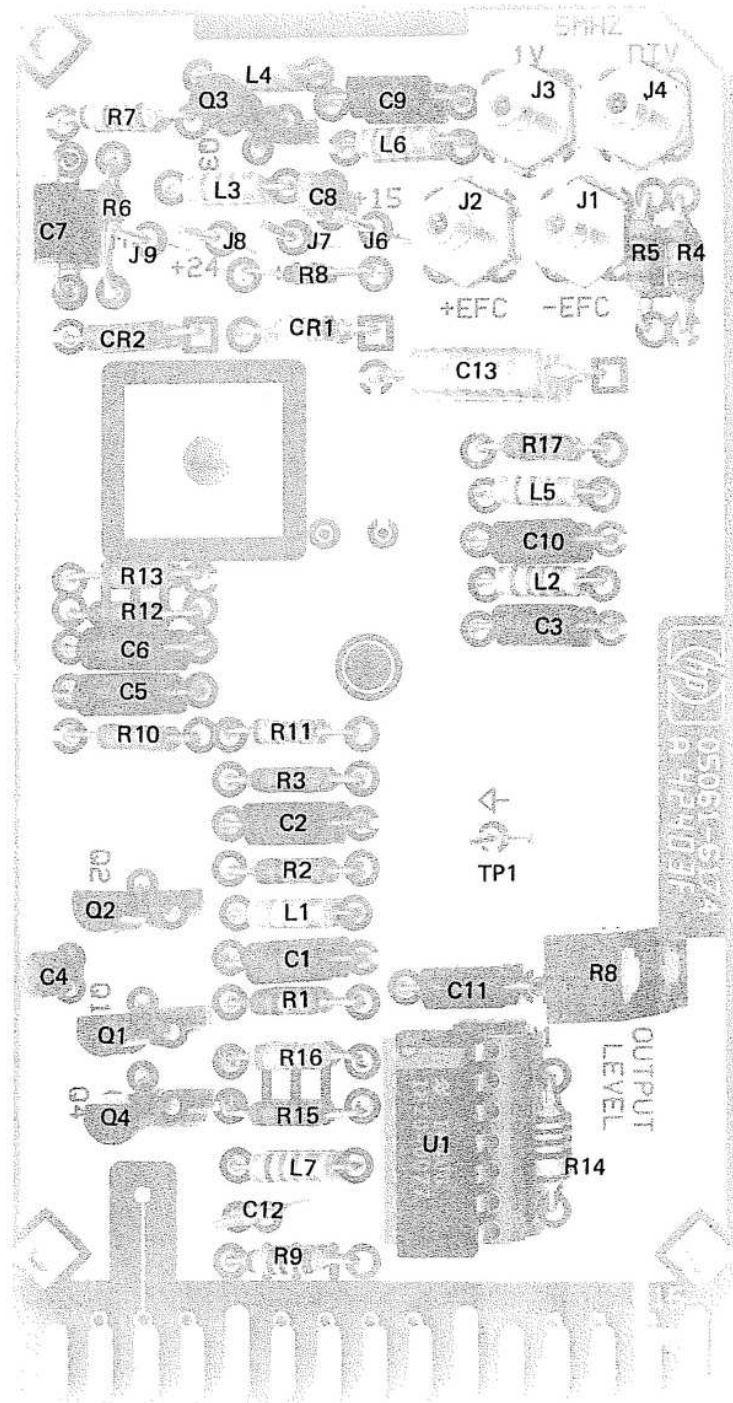
- NOTES:
1. REFERENCE DESIGNATIONS WITHIN THIS ASSEMBLY ARE ABREVIATED, AND THE COMPLETE DESCRIPTION IS GIVEN IN THE PARTS LIST FOR COMPLETE IDENTIFICATION.
 2. UNLESS OTHERWISE INDICATED, CAPACITANCE IN PARENTHESES IS IN MICROFARADS.
 3. * RESISTOR VALUES ARE INDICATED VALUE.
 4. * CAPACITANCE IN MICROFARADS.
 5. ALL DIMENSIONS AND WEIGHTS TAKEN FROM DRAWING MADE BY AI.
 6. (1) AND OUTPUT LEVEL SET TO 1.0 V RMS AT 1000 HZ.
 7. TERMINAL LIST.

NO	DESCRIPTION	AI10	AI12	AI13
1	RESISTOR	C1-5	C1-5	C1-5
2	RESISTOR	100K	100K	100K
3	RESISTOR	100K	100K	100K
4	RESISTOR	100K	100K	100K
5	RESISTOR	100K	100K	100K
6	RESISTOR	100K	100K	100K
7	RESISTOR	100K	100K	100K
8	RESISTOR	100K	100K	100K
9	RESISTOR	100K	100K	100K
10	RESISTOR	100K	100K	100K
11	RESISTOR	100K	100K	100K
12	RESISTOR	100K	100K	100K
13	RESISTOR	100K	100K	100K
14	RESISTOR	100K	100K	100K
15	RESISTOR	100K	100K	100K
16	RESISTOR	100K	100K	100K
17	RESISTOR	100K	100K	100K
18	RESISTOR	100K	100K	100K
19	RESISTOR	100K	100K	100K
20	RESISTOR	100K	100K	100K
21	RESISTOR	100K	100K	100K
22	RESISTOR	100K	100K	100K
23	RESISTOR	100K	100K	100K
24	RESISTOR	100K	100K	100K
25	RESISTOR	100K	100K	100K
26	RESISTOR	100K	100K	100K
27	RESISTOR	100K	100K	100K
28	RESISTOR	100K	100K	100K
29	RESISTOR	100K	100K	100K
30	RESISTOR	100K	100K	100K
31	RESISTOR	100K	100K	100K
32	RESISTOR	100K	100K	100K
33	RESISTOR	100K	100K	100K
34	RESISTOR	100K	100K	100K
35	RESISTOR	100K	100K	100K
36	RESISTOR	100K	100K	100K
37	RESISTOR	100K	100K	100K
38	RESISTOR	100K	100K	100K
39	RESISTOR	100K	100K	100K
40	RESISTOR	100K	100K	100K
41	RESISTOR	100K	100K	100K
42	RESISTOR	100K	100K	100K
43	RESISTOR	100K	100K	100K
44	RESISTOR	100K	100K	100K
45	RESISTOR	100K	100K	100K
46	RESISTOR	100K	100K	100K
47	RESISTOR	100K	100K	100K
48	RESISTOR	100K	100K	100K
49	RESISTOR	100K	100K	100K
50	RESISTOR	100K	100K	100K
51	RESISTOR	100K	100K	100K
52	RESISTOR	100K	100K	100K
53	RESISTOR	100K	100K	100K
54	RESISTOR	100K	100K	100K
55	RESISTOR	100K	100K	100K
56	RESISTOR	100K	100K	100K
57	RESISTOR	100K	100K	100K
58	RESISTOR	100K	100K	100K
59	RESISTOR	100K	100K	100K
60	RESISTOR	100K	100K	100K
61	RESISTOR	100K	100K	100K
62	RESISTOR	100K	100K	100K
63	RESISTOR	100K	100K	100K
64	RESISTOR	100K	100K	100K
65	RESISTOR	100K	100K	100K
66	RESISTOR	100K	100K	100K
67	RESISTOR	100K	100K	100K
68	RESISTOR	100K	100K	100K
69	RESISTOR	100K	100K	100K
70	RESISTOR	100K	100K	100K
71	RESISTOR	100K	100K	100K
72	RESISTOR	100K	100K	100K
73	RESISTOR	100K	100K	100K
74	RESISTOR	100K	100K	100K
75	RESISTOR	100K	100K	100K
76	RESISTOR	100K	100K	100K
77	RESISTOR	100K	100K	100K
78	RESISTOR	100K	100K	100K
79	RESISTOR	100K	100K	100K
80	RESISTOR	100K	100K	100K
81	RESISTOR	100K	100K	100K
82	RESISTOR	100K	100K	100K
83	RESISTOR	100K	100K	100K
84	RESISTOR	100K	100K	100K
85	RESISTOR	100K	100K	100K
86	RESISTOR	100K	100K	100K
87	RESISTOR	100K	100K	100K
88	RESISTOR	100K	100K	100K
89	RESISTOR	100K	100K	100K
90	RESISTOR	100K	100K	100K
91	RESISTOR	100K	100K	100K
92	RESISTOR	100K	100K	100K
93	RESISTOR	100K	100K	100K
94	RESISTOR	100K	100K	100K
95	RESISTOR	100K	100K	100K
96	RESISTOR	100K	100K	100K
97	RESISTOR	100K	100K	100K
98	RESISTOR	100K	100K	100K
99	RESISTOR	100K	100K	100K
100	RESISTOR	100K	100K	100K

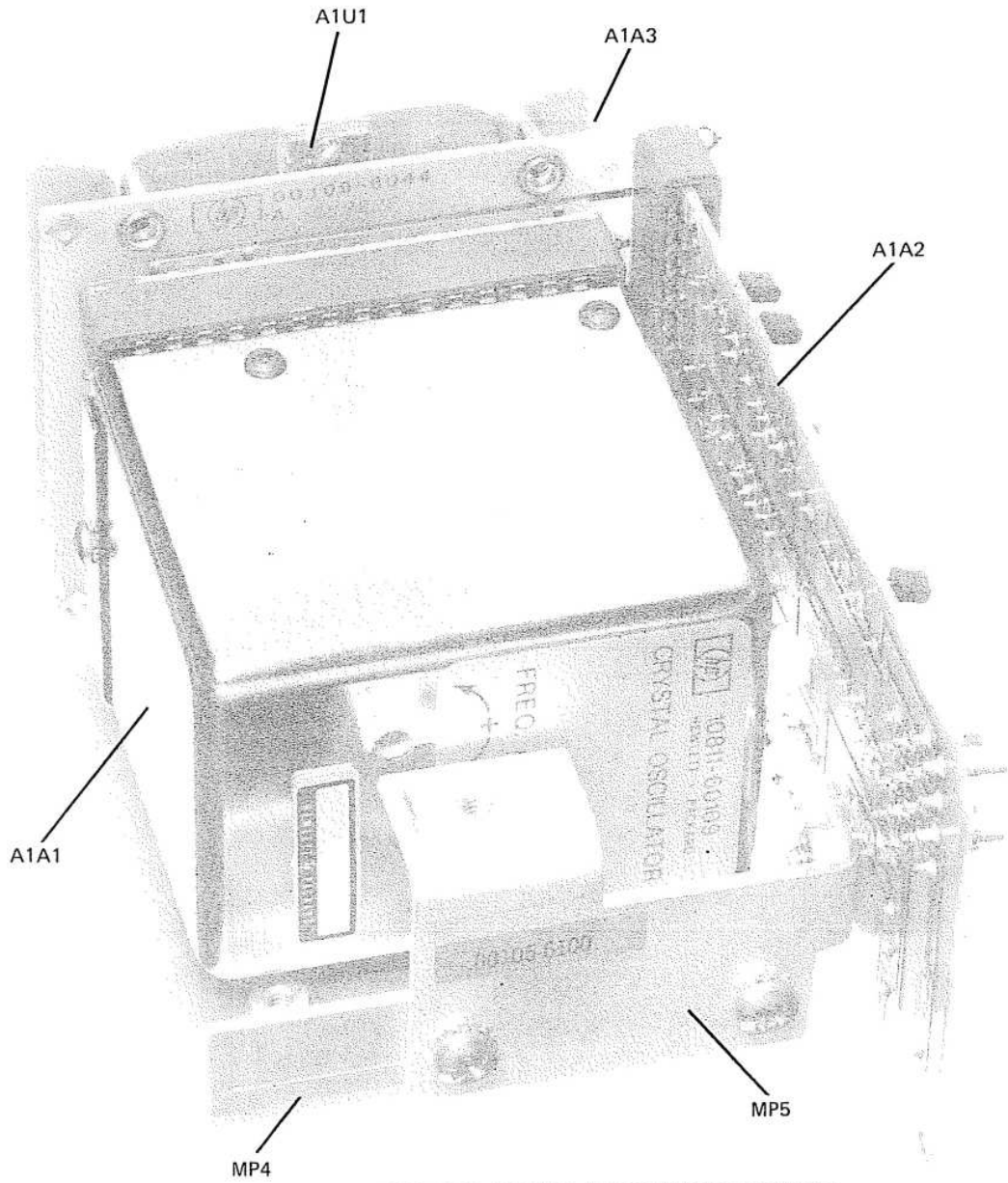




Part of Figure 7-4
 A1A2 Frequency Divider/Amplifier Assembly
 Component Locator (05061-6165, SERIES 2120)
 Page 7-7

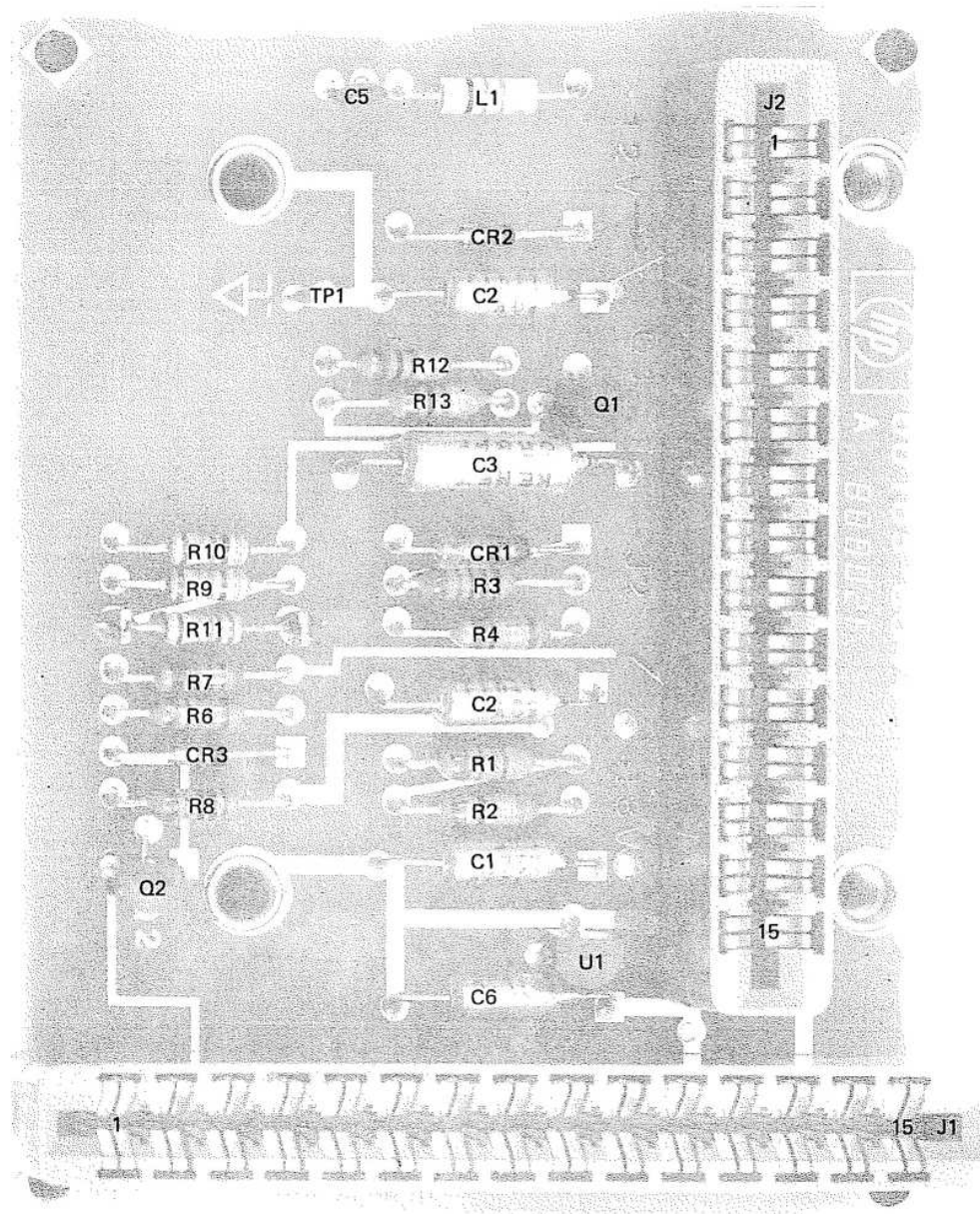


Part of Figure 7-4
 A1A2 Frequency Divider/Amplifier Assembly
 Component Locator (05061-6174, SERIES 2432)
 Page 7-7



SEE TABLE 3 FOR PARTS IDENTIFICATION
AND TUNING SHAFT PARTS
(NOT SHOWN HERE)

Part of Figure 7-6
A1 Oscillator Assembly
(00105-6100, SERIES 2128)
7-11



Part of Figure 7-7
A1A3 Power Supply Assembly
Component Locator (00105-6044 SERIES 2128)
Page 7-7