

6

5

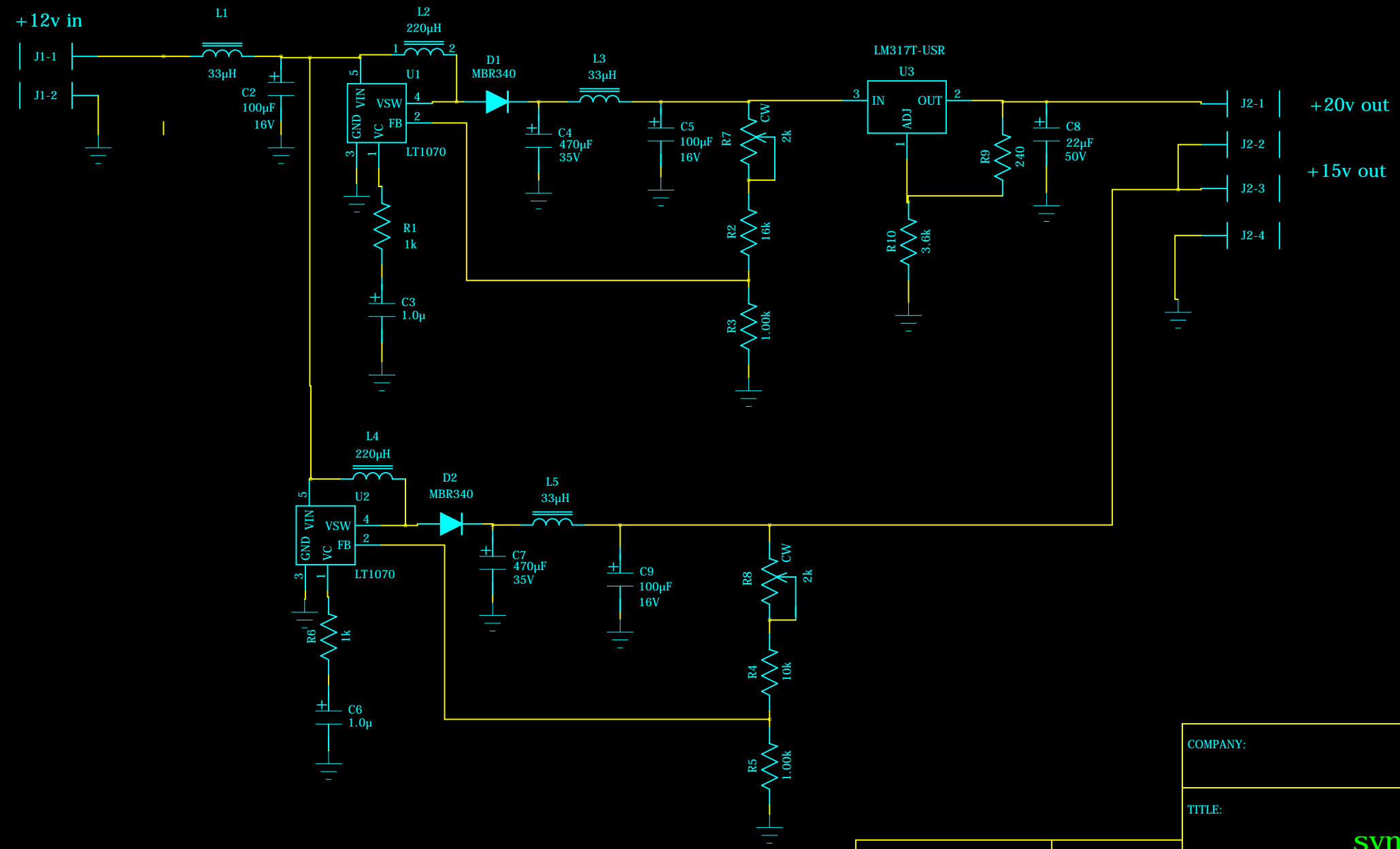
4

3

2

1

REVISION RECORD			
LTR	ECO NO:	APPROVED:	DATE:



D

D

C

C

B

B

A

A

COMPANY:				FSCD Research			
TITLE:				synthesizer power supply			
CODE:	SIZE:	DRAWING NO:		REV:			
0	B	022506-01		1			
SCALE: <Scale>				SHEET: 1 of 1			

DRAWN:	esj	DATED:	25 feb 2006
CHECKED:	esj	DATED:	25 feb 2006
QUALITY CONTROL:	<QC By>	DATED:	<QC Date>
RELEASED:	esj	DATED:	25 feb 2006